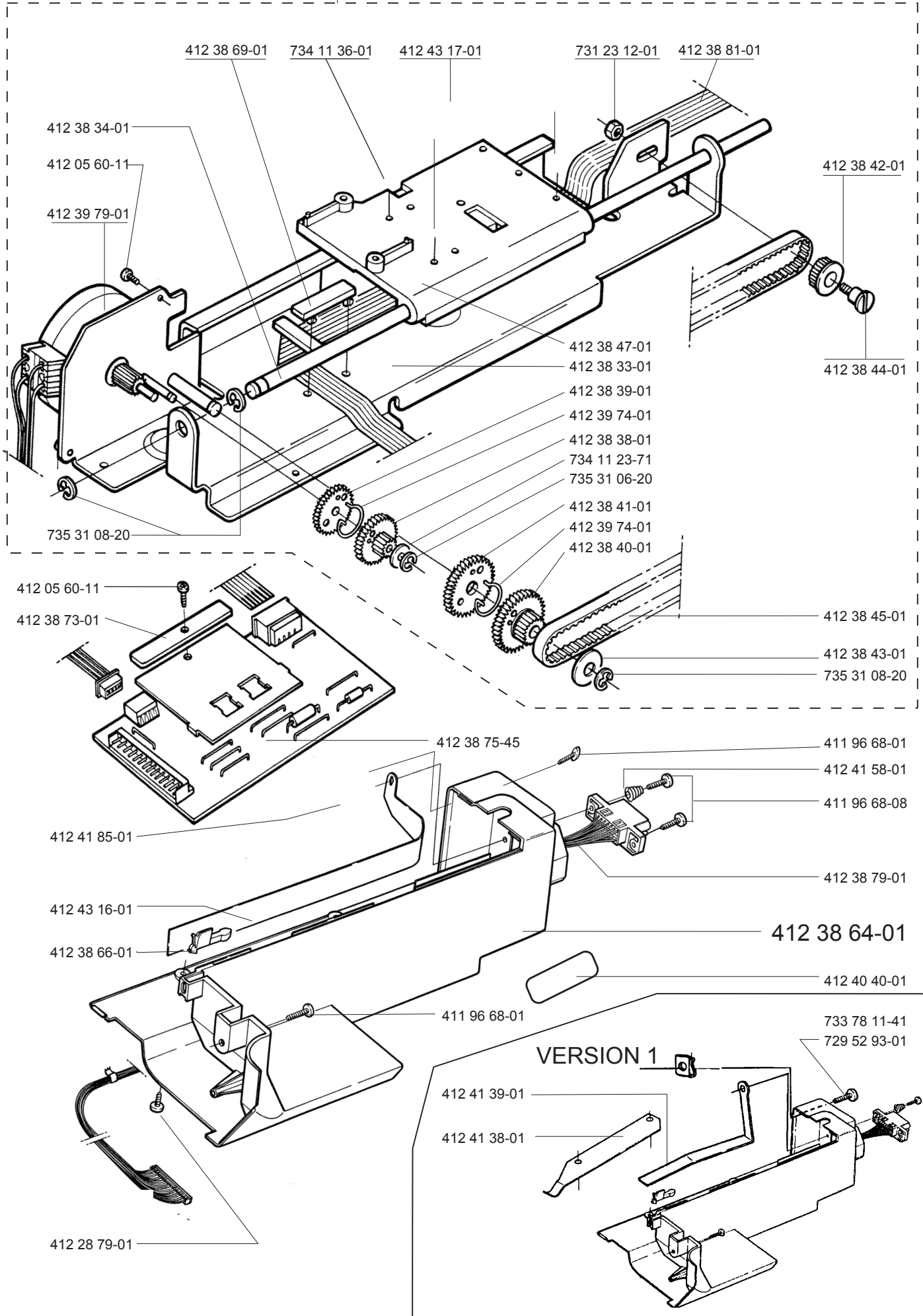


Spare parts
Ersatzteile
Pièces détachées
Reservdelar

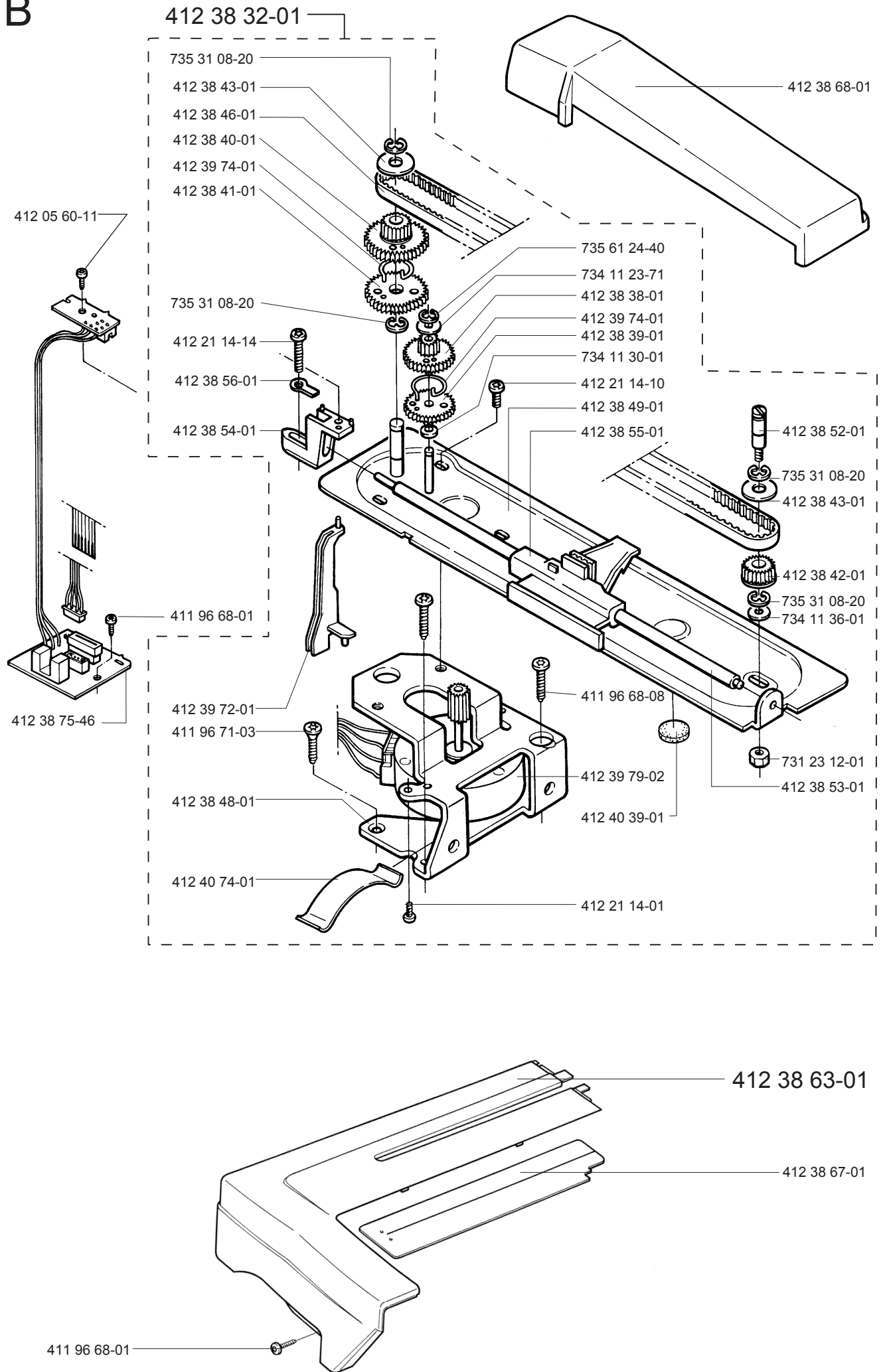
1250, #1+
Embroidery Unit

A

412 38 31-01

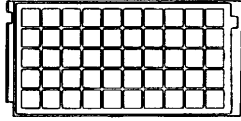


B

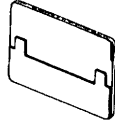


C

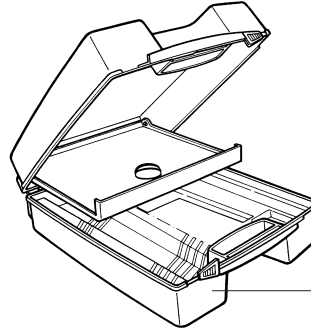
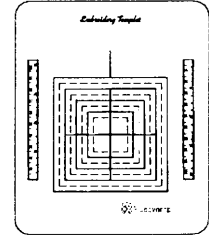
CASSETTE



MEMORY CARD

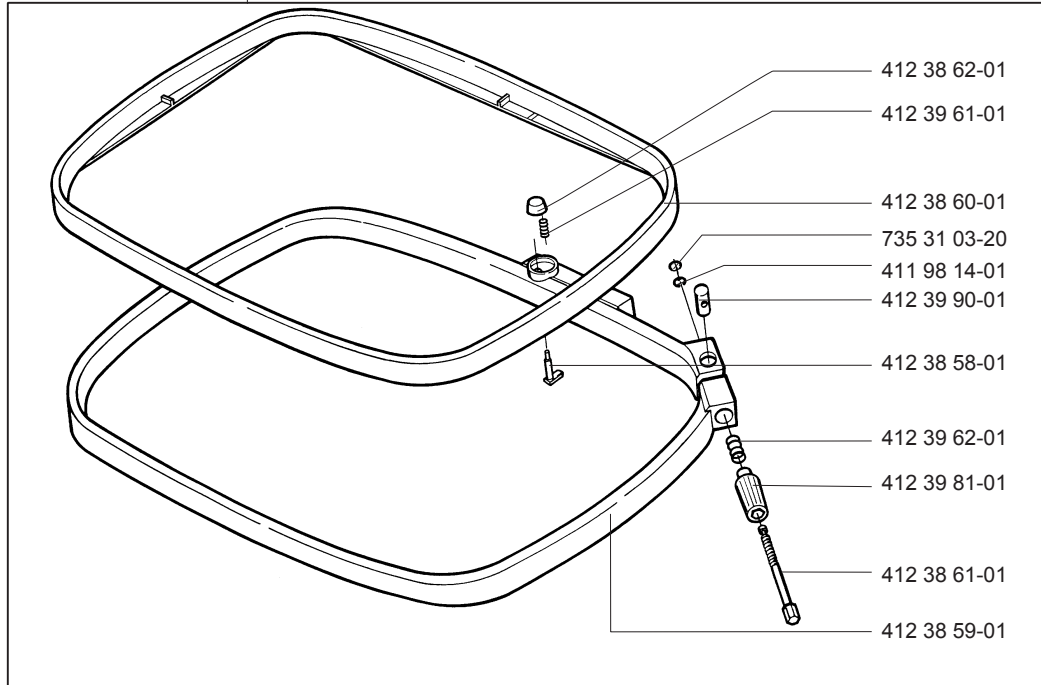


EMBROIDERY TEMPLAT



412 39 99-01

412 39 23-01



412 38 62-01

412 39 61-01

412 38 60-01

735 31 03-20

411 98 14-01

412 39 90-01

412 38 58-01

412 39 62-01

412 39 81-01

412 38 61-01

412 38 59-01

| Part.No | Description | Square | Part. No | Description | Square | Part.No | Description | Square |
|--------------|----------------------------|--------|--------------|---------------------------|--------|--------------|------------------------|--------|
| 411 96 68-01 | Screw 7,5 mm | A,B | 412 38 60-01 | Embroidery frame, inside | C | 412 43 17-01 | Spring | A |
| 411 96 68-08 | ScREW 14 mm | A,B | 412 38 61-01 | Screw | C | 729 52 93-01 | Screw RXS B6x38 mm | A |
| 411 96 71-03 | Screw 14 mm | B | 412 38 62-01 | Key | C | 731 23 12-01 | Nut | A,B |
| 411 98 14-01 | Washer | C | 412 38 63-01 | Cover, top | B | 733 78 11-41 | Quick acting lock nut | A |
| 412 05 60-11 | Screw M3x5 mm | A,B | 412 38 64-01 | Cover, base | A | 734 11 23-71 | Washer | A,B |
| 412 21 14-01 | Screw M3x4 mm | B | 412 38 66-01 | Latch | A | 734 11 30-01 | Washer | B |
| 412 21 14-10 | Screw M4x6 mm | B | 412 38 67-01 | Seal | B | 734 11 36-01 | Washer | A, B |
| 412 21 14-14 | Screw M4x16 mm | B | 412 38 68-01 | Cover Y-unit | B | 735 31 03-20 | C-washer | C |
| 412 28 79-01 | Screw | A | 412 38 69-01 | Clamp flex cable | A | 735 31 06-20 | C-washer | A |
| 412 38 31-01 | X-unit compl | A | 412 38 73-01 | Clamp | A | 735 31 08-20 | C-washer | A,B |
| 412 38 32-01 | Y-unit compl | B | 412 38 75-45 | Circuit board, main board | A | 735 61 24-40 | Compression ring 3 mm | B |
| 412 38 33-01 | Frame X-unit | A | 412 38 75-46 | Circuit board | B | | | |
| | | | | | | | | |
| 412 38 34-01 | Shaft X-unit | A | 412 38 79-01 | Cable compl. | A | ACCESSORIES | | |
| 412 38 38-01 | Cog wheel | A,B | 412 38 81-01 | Cable flexible | A | 412 39 37-01 | Embroidery foot Q | C |
| 412 38 39-01 | Cog wheel | A,B | 412 39 23-01 | Embroidery box compl. | C | 412 39 65-01 | Embroidery card 1 | C |
| 412 38 40-01 | Cog wheel | A,B | 412 39 61-01 | Stop spring | C | 412 39 68-12 | Cassette 1,Embroidery | C |
| 412 38 41-01 | Cog wheel | A,B | 412 39 62-01 | Spring | C | 412 39 68-13 | Cassette 2,Embroidery | C |
| 412 38 42-01 | Cog wheel | A,B | 412 39 72-01 | Cable guide Y-unit | B | 412 39 68-14 | Cassette 3,Embroidery | C |
| 412 38 43-01 | Washer | A,B | 412 39 74-01 | Spring | A,B | 412 39 68-15 | Cassette 4,Embroidery | C |
| 412 38 44-01 | Shaft belt tension X-unit | A | 412 39 79-01 | Step motor compl. X-unit | A | 412 39 68-17 | Cassette 5,Embroidery | C |
| 412 38 45-01 | Cog belt X-unit | A | 412 39 79-02 | Step motor compl. Y-unit | B | 412 39 68-18 | Cassette 6, Embroidery | C |
| 412 38 46-01 | Cog belt Y-unit | B | 412 39 81-01 | Grip | C | 412 41 60-01 | Embroidery foot R | C |
| 412 38 47-01 | Slide X-direction | A | 412 39 90-01 | Nut | C | 412 41 61-01 | Plastic bag w. access. | C |
| | | | | | | 412 41 66-01 | Embroidery templet | C |
| 412 38 48-01 | Holder Y-slide, step motor | B | 412 39 99-01 | Embroidery frame compl. | C | 412 41 69-01 | Embroidery card 2 | C |
| 412 38 49-01 | Frame Y-unit | B | 412 40 39-01 | Felt spacer | B | 412 41 70-01 | Embroidery card 3 | C |
| 412 38 52-01 | Shaft belt tension Y-unit | B | 412 40 40-01 | Lid | A | 412 41 71-01 | Embroidery card 4 | C |
| 412 38 53-01 | Shaft Y-slide | B | 412 40 74-01 | Spring | B | 412 43 67-01 | Embroidery card 5 | C |
| 412 38 54-01 | Holder | B | 412 41 38-01 | Spring Ver. 1 | A | 412 43 93-01 | Embroidery card 6 | C |
| 412 38 55-01 | Slide Y-unit | B | 412 41 39-01 | Spring Ver. 1 | A | | | |
| 412 38 56-01 | Washer | B | 412 41 58-01 | Spring | A | | | |
| 412 38 58-01 | Stop, Embroidery frame | C | 412 41 85-01 | Slide lock | B | | | |
| 412 38 59-01 | Embroidery frame, outside | C | 412 43 16-01 | Spring | A | | | |